



Ultra

Quattro High-Gain Low-Noise 40mm LNB IDLT-QTL412-ULTRA-OPN

Item: 5930

Inverto's high-performance Ultra LNBs were specifically designed to address the need for superior reception under the edges of the satellite footprint skirt, small dish sizes or long coax cables. Thanks to its novel feed horn design and superior front-end components, this LNB provides higher conversion gain yet with low noise figure and best phase noise performance. The combination of innovative feed horn design, higher spec components, excellent cross polarization isolation and advanced filter design enables improved handling of interfering and spurious signals.

This LNB provides a leap in the overall reception performance compared with standard LNBs, enabling the reception of signals from one satellite, its distribution via a Multi-Switch to numerous Set-Top Boxes and is ready for Ultra High Definition TV transmissions in 4K or 8K resolution. Designed to meet strict specifications and manufactured to the highest industry standards, this unique range of LNBs is an ideal solution for installations with challenging reception conditions.

Main Features:

- Novel feed horn design
- Superior Phase Noise performance, DVB-S2X compliant supporting Ultra HD (4K and 8K) TV
- Excellent Cross Polarization Isolation
- Very Low Spurious Levels
- Superior Noise Figure with high Conversion Gain
- High 4G Immunity
- Ultimate Reliability



www.inverto.tv



← 40 →
mm



4G

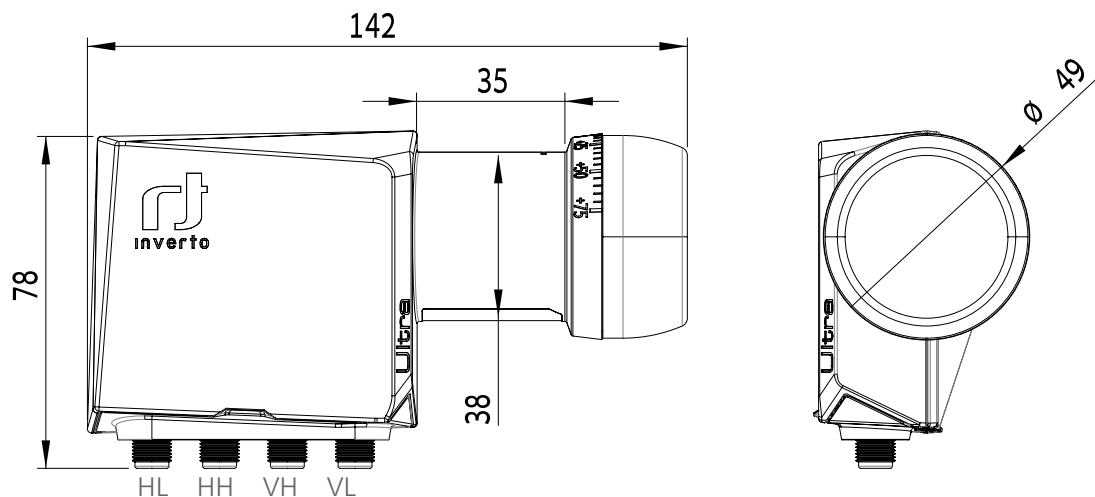
4K
Ultra HD

Technical data

Low band input frequency range	10.7 GHz ~ 11.7 GHz
Low band output frequency range	950 MHz ~ 1950 MHz
Low band LO frequency	9.75 GHz
High band input frequency range	11.7 GHz ~ 12.75 GHz
High band output frequency range	1100 ~ 2150 MHz
High band LO frequency	10.6 GHz
Noise figure	0.2 dB typ. (0.7 dB max.)
LO temperature drift @ 60° C	± 2.0 MHz max.
LO Initial accuracy (@ 25° C)	± 1.0 MHz max.
LO phase noise @ 1 kHz	-70 dBc/Hz
LO phase noise @ 10 kHz	-80 dBc/Hz
LO phase noise @ 100 kHz	-90 dBc/Hz
LO phase noise @ 1 MHz	-100 dBc/Hz
Conversion gain	60 ~ 70 dB
Gain ripple (over 26 MHz bandwidth)	1 dB max. (peak-to-peak)
Gain variation (over full band)	4 dB max. (peak-to-peak)
Image rejection	50 dB min.
3th order intermodulation - ICP3	+10 dBm min
1 dB compression point (@ output)	0 dBm min.
Cross polarization isolation	22 dB min.
Output VSWR	2.0 : 1 max.
In band spurious level	-65 dBm max.
Current consumption	230 mA max. (10 VDC ~ 20 VDC)
Operating temperature	-30 °C ~ +60 °C
Output impedance	75 Ω (F-type)
Output connector	x4 (VL, VH, HL, HH), F-type (female & color coded)
Weight	177 g

Logistical info

Packaging dimensions (W x D x H)	14.8 cm x 8.6 cm x 5.7 cm
Packaging weight	0.306 Kg
Quantity per carton	50
Carton dimensions (W x D x H)	45 cm x 31.5 cm x 30.5 cm
Carton weight	11 kg
Quantity per pallet	1800



For purpose of brevity, some product descriptions in this sheet remain at platform level and may not be referred to as detailed datasheets of the products. Inverto Digital Labs reserves the right to amend, omit or add products, product-lines, and / or features without notice.

For further details contact: sales@inverto.tv
FTA Communication Technologies S.à r.l. Tel. +352 264 367 1 Fax. +352 264 313 68