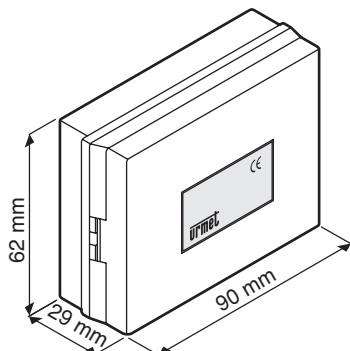


VIDEO DISTRIBUTOR Ref. 1794/4A

TECNICAL FEATURES - INSTALLATION
WIRING DIAGRAM

VIDEO DISTRIBUTOR Ref. 1794/4A



The Ref. 1794/4A is used to distribute the video signal according to the various installation needs:

- on several riser columns;
- across floors.

This distributor, is used in coax systems.

TECNICAL FEATURES

Power supply:	15 ÷ 20Vdc
Intake without load:	25mA
with 4 loads:	40mA
Input impedance:	75 Ω
Output impedance:	75 Ω

NOTE: The unused video distributor outputs must not be closed by a 75 Ω resistor.

INSTALLATION

The video distributor can be wall-mounted by fastening the base with the bolts provided.

The connections are made using screw-on terminal boards with clamps. Pre-cut slots in the cover walls are provided for passing wires.

SETTING AND REGULATION

For video distributors using output U5, remove the 75 Ohm jumper JP1.

DESCRIPTION OF TERMINALS

⊗	U1	Video signal output 1
⊗	U2	Video signal output 2
⊗	E	Video signal input
⊗	U5	Video signal output 5 (only for other distributors)
⊗	U3	Video signal output 3
⊗	U4	Video signal output 4

WIRING DIAGRAM

