

---

# NEWS

---

Download from [www.urmet.com](http://www.urmet.com) Technical Manuals area.

---

## SECTION CONTENTS

<b>VOP 4-USER AUDIO VIDEO DISTRIBUTOR Ref.1074/55A</b>	<b>2</b>
TECHNICAL CHARACTERISTICS.....	2
WIRING DIAGRAM .....	2

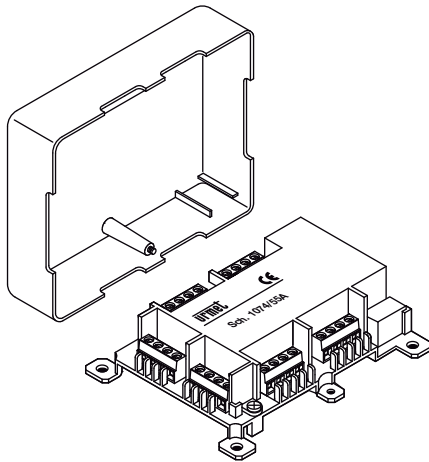


VOP 4-USER AUDIO VIDEO DISTRIBUTOR

TECHNICAL CHARACTERISTICS - WIRING DIAGRAM



VOP 4-USER AUDIO VIDEO DISTRIBUTOR  
Ref.1074/55A



The VOP floor audio video distributor, to be installed in the column, is dedicated to the VOP system and offers the following features:

- Setting up of systems distributed on 4 extensions.
- Inputs, outputs and extensions are not polarised.
- Is powered directly by the VOP.
- Automatic switching to the extension that has the bracket active.

The floor video distributor distributes the VOP video signal of the system riser column and the audio signal on 4 video house phones.

Monitors or other floor video distributors can be connected to the extension outputs.

TECHNICAL SPECIFICATIONS

VPI power: ..... **14 ÷ 28 Vcc**  
 Temperature: ..... **-5 ÷ + 45 °C**

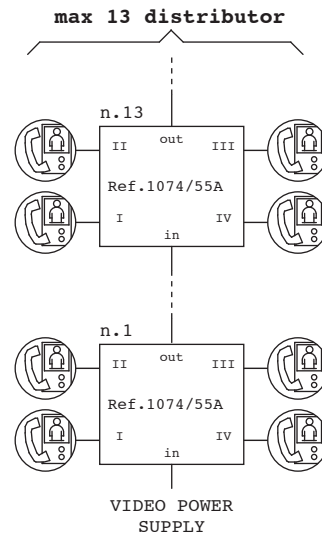
TERMINALS DESCRIPTIONS

L1 IN	AUDIO IN	}	Column
L2 IN	AUDIO IN		
L1 OUT	AUDIO OUT	}	Videodoorphone 1
L2 OUT	AUDIO OUT		
VP I	VIDEO OUT	}	Videodoorphone 2
L1 II	AUDIO OUT		
L2 II	AUDIO OUT	}	Videodoorphone 3
VP II	VIDEO OUT		
L1 III	AUDIO OUT	}	Videodoorphone 4
L2 III	AUDIO OUT		
VP III	VIDEO OUT	}	
L1 IV	AUDIO OUT		
L2 IV	AUDIO OUT	}	
VP IV	VIDEO OUT		

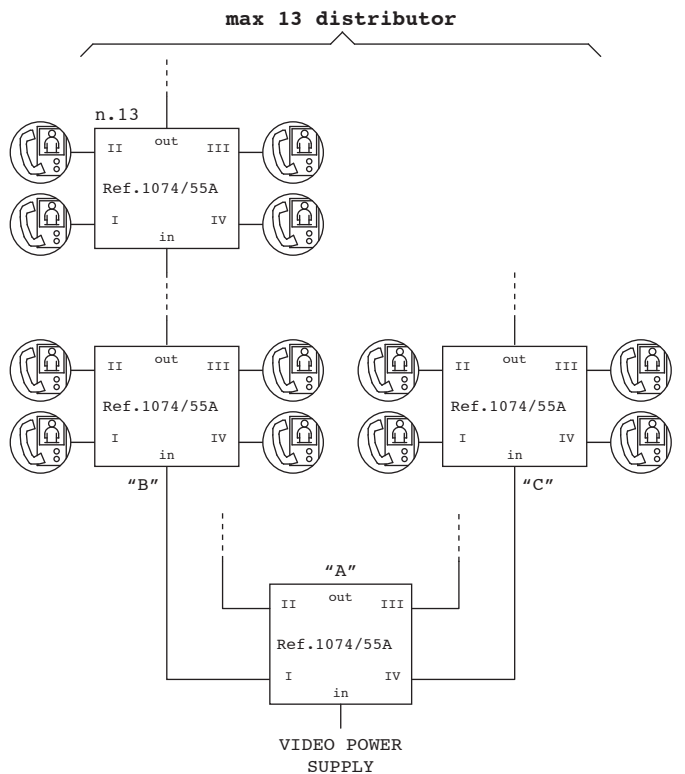
Up to 13 can be connected using the distributor passing output.  
 Only up to 2 distributors can be connected in series using extension outputs.

WIRING DIAGRAM

DISTRIBUTION ON COLUMN



DISTRIBUTION ON SEVERAL COLUMNS



Up to 2 distributors can be connected in series using the extension outputs (see distributors A+B or A+C).

**Important:** Never fit the video terminal resistors 82Ω 1/4W.

*If the 1074/55A device is used instead of the 1074/54, connect the cables of the video signal to the 1074/55 device as connected on the 1074/54. The audio signal cables can be connected to the L1 L2 dedicated connectors as indicated above or leaving the electrical connection set up when using the 1074/54.*

